

FEATURES

- OS: Ubuntu 18.04 plus Qt
- LCD Size 7" ~ 15.6"
- Resolution 1024 x 768 ~ 1920x1200
- eMMC Memory: 8GB
- DDR3: 2GB
- Input Voltage: DC 12V ± 10%
- Power Consumption: 10W Max

APPLICATIONS

- Medical Equipment
- Industrial Equipment



DESCRIPTIONS

The XM series is an embedded TFT LCD touch PC which consists of a TFT LCD panel, a single board computer, a touch panel and an user friendly bracket. It has a variety of I/O ports: micro SD slot, USB, UART, RS-232C, RS-422, GPIO and speaker. It provides a time-tested, user-friendly design to help maximize efficiency and minimize errors in a field.

The single board computer is designed and developed for especially medical applications as well as industrial applications. It uses the Samsung octa-core Cortex-A53 S5P6818 SoC with DDR3 2GB and eMMC 8GB. The XM series supports Linux 4.4.8 plus Qt as an open source project.

SPECIFICATIONS

	XML070HR1	XMM101HR3	XML116HR4	XML121HR2	XME133HR5	XME156HR5	XME215HR5	CUSTOM
Size	7.0"	10.1"	11.6"	12.1"	13.3"	15.6"	21.5"	
CPU	S5P6818 / 1.4GHz							
Core	Cortex-A53 Octa-Core @ 1.4GHz w/ L1 Cache: 32 Kbyte I-Cache, 32 Kbyte D-Cache per core							
Resolution	1024 x 600	1280 x 800	1366 x 768	1024 x 768	1920 x 1080	1920 x 1080	1920 x 1080	
Brightness	300~500cd/m ² , optional							
Type of touch	Resistive or capacitive							
LCD viewing	$\theta_L : 85^\circ$, $\theta_R : 85^\circ$ / $\theta_T : 85^\circ$, $\theta_B : 85^\circ$, dependent on LCD							
Contrast ratio	800:1, optional							
eMMC	8GB							
RAM memory	DDR3 2GB							
Video inter- face	LVDS	MIPI	LVDS	LVDS	eDP	eDP	eDP	
Audio inter- Interfaces	High Performance 3D Graphic Accelerator							
	Full-HD Multi Format Video Codec							
	I ² S							
	USB 2.0 Host, USB OTG, 2 x RS-232C, RS-422, UART, LOG UART, HDMI, I2C, 4 x GPIO							
Micro SD	1							
Speaker	3W / Mono with output level selection							
RTC	Rechargeable back up battery							
GUI	Qt 5.6 (opensource) or Qt 5.10 (License)							
OS	Ubuntu 18.04, Linux 4.4.8, 64-bit							

Fourstech Co., Ltd.

202-403 Bucheon Technopark Ssangyong III, 397 Seokchonro,
Buchonsi, Gyeonggido 14449 Korea

Email: sales@fourstech.com / <https://www.fourstech.com>
Tel : +82-32-715-4881 Fax: +82-32-715-4883

SINGLE BOARD COMPUTER

S5P6818 uses the Cortex-A53 Octa-cores, which are based on the ARMv8-A architecture and deliver more performance for ARMv7 32-bit code in AArch32 execution state, and offer support for 64-bit data and larger virtual addressing space in AArch64 execution state. It provides 6.4GB/s memory bandwidth for heavy traffic operation such as 1080p video encoding and decoding, 3D graphics display and high resolution image signal processing with Full HD display.

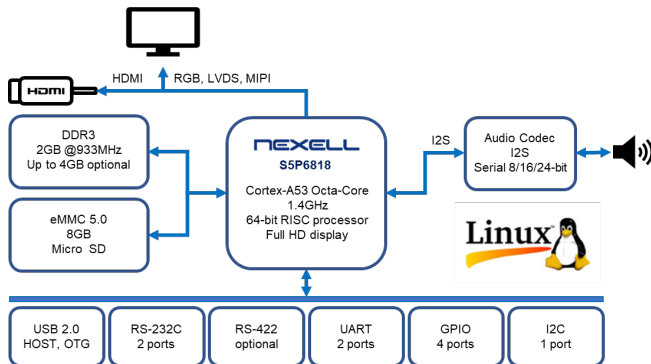


Fig. 1 Block diagram of single board computer

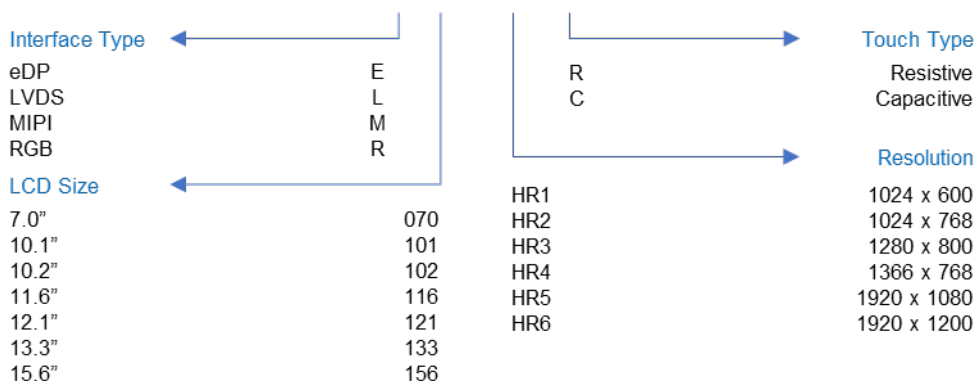
S5P6818 provides the best 3D graphics performance with wide range of APIs, such as OpenGL ES1.1, 2.0. Superior 3D performance fully supports Full HD display. The native dual display, in particular, supports Full HD resolution of main LCD display and 1080p 60 frame HDTV display throughout HDMI, simultaneously. Separate post processing pipeline enables S5P6818 to make a real display scenario.

The XM series does not offer full performance of S5P6818, but is optimally developed for medical applications. As shown in Figure 1,

ORDERING INFORMATION

Explained what the embedded touch PC model number means on. Example model XML116HR4C

XML116HR4C



WARRANTY PERIOD & ORIGIN

XM series has been designed by Fourstech Co., Ltd. and manufactured in Korea. The period of warranty shall start from the date of purchase of the product and shall cover a period one (1) year. If the date of purchase of the product is unknown, the period of warranty shall start from the month of manufacturing of the product.

Fourstech Co., Ltd.

202-403 Bucheon Technopark Ssangyong III, 397 Seokchonro, Buchonsi, Gyeonggido 14449 Korea

It provides various interfaces such as display, communications, and memory. The XM series supports Linux 4.4.8 plus Qt as an open source project.

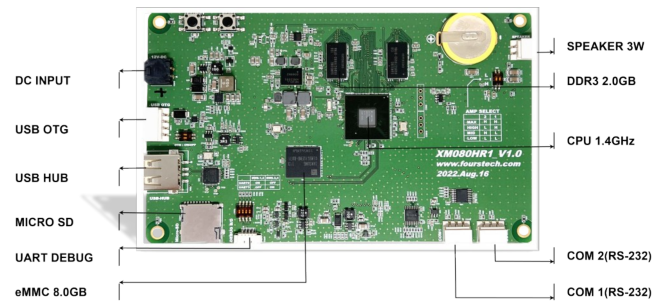


Fig. 2 Single board computer of XM080 series

GENERAL SPECIFICATIONS

	SPEC	UNIT
Operating voltage	10.8~13.2	VDC
Operating Temp.	-20~+70	°C
Storage Temp.	-30~+80	°C
Relative Humidity	90	%RH max. 24hrs
Power consumption	TBD	W

ABSOLUTE MAXIMUM RATING

	SYMBOL	MIN	MAX	UNIT
Supply voltage	VCC	0	+13.2	VDC
Battery voltage	VBAT	0	+3.6	VDC
ESD rating	ESD	0	+2	KV

Note: Absolute maximum ratings are stress only, and functional operation at the maximum is not guaranteed. Stress beyond the limits specified in this table may affect device reliability or cause permanent damage to the device.